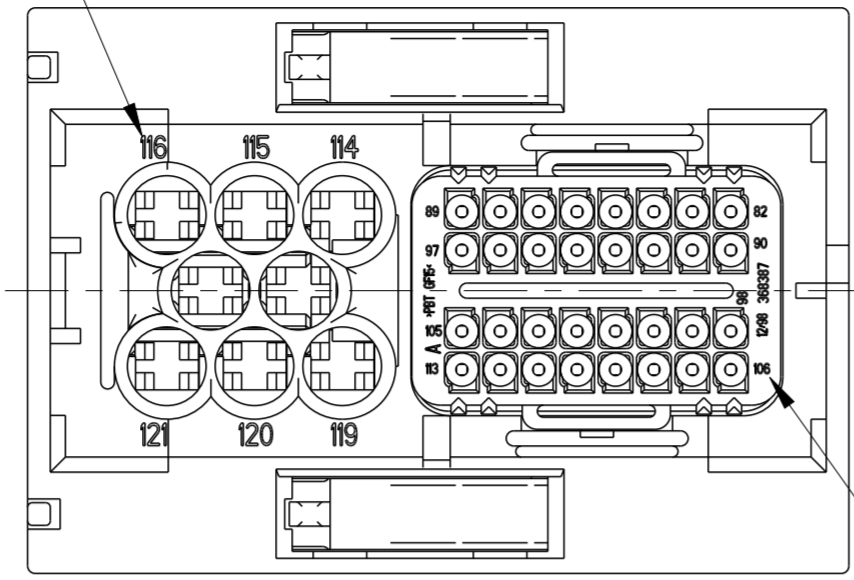


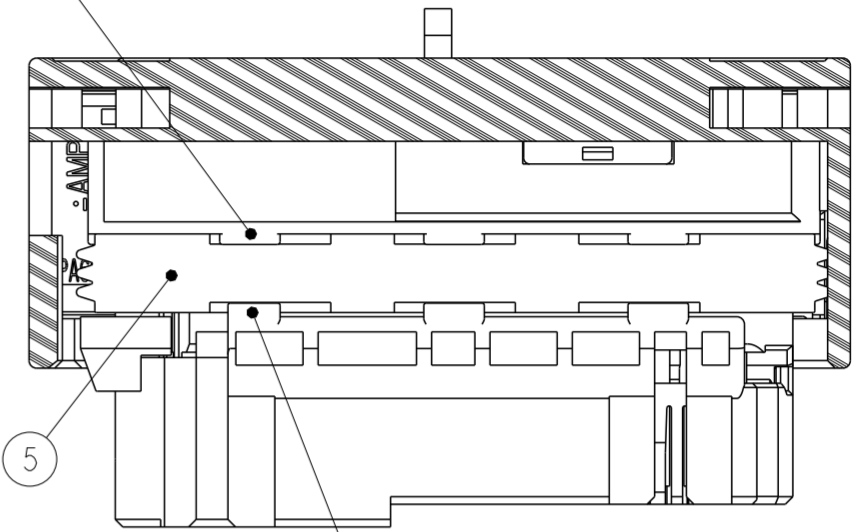
REVISONS		変更	DATE	DWN	APVD
P	LTR	DESCRIPTION			
A3	REVISED	ECR-18-012136	31 JUL 2018	TS	HY
A4	REVISED	ECR-21-003932	19 MAY 2021	DM	RK
A5	REVISED	ECR-21-121320	19 NOV 2021	DM	RK
A6	REVISED	ECR-23-167493	27 FEB 2023	DM	RK

CIRCUIT NUMBER



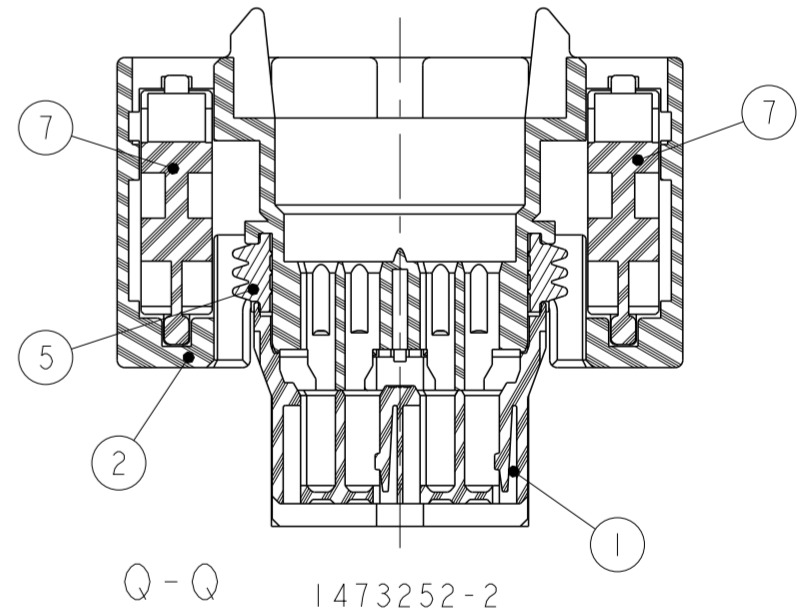
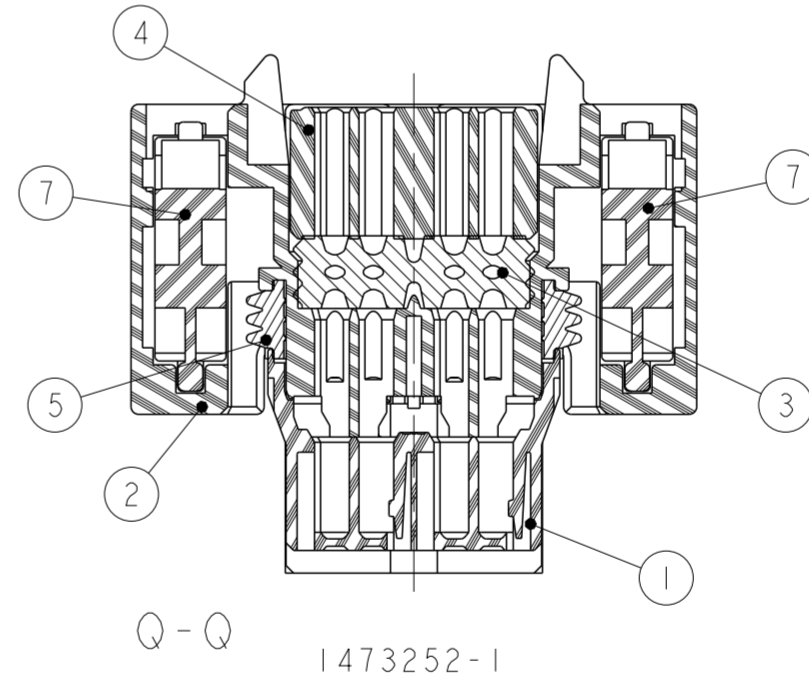
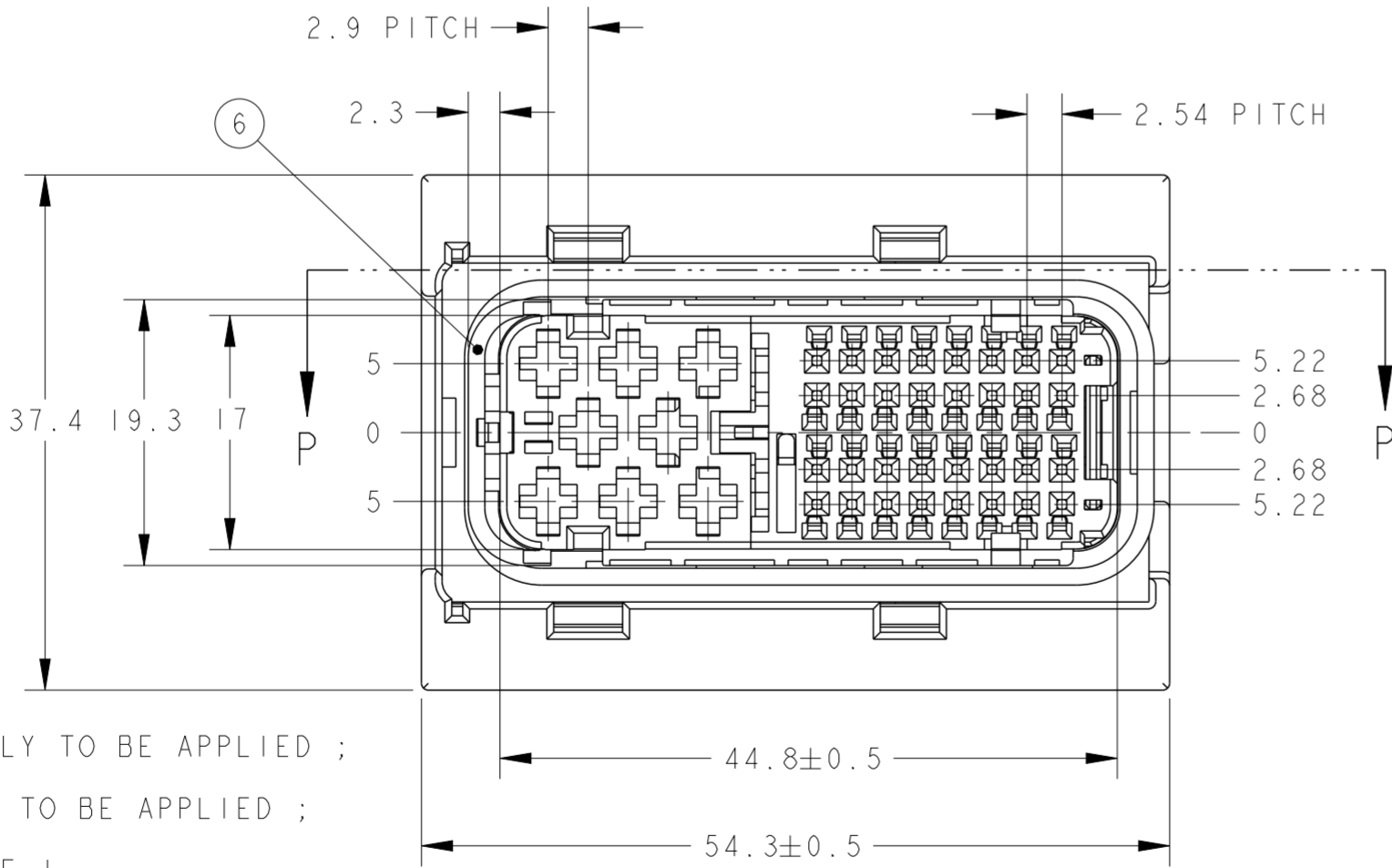
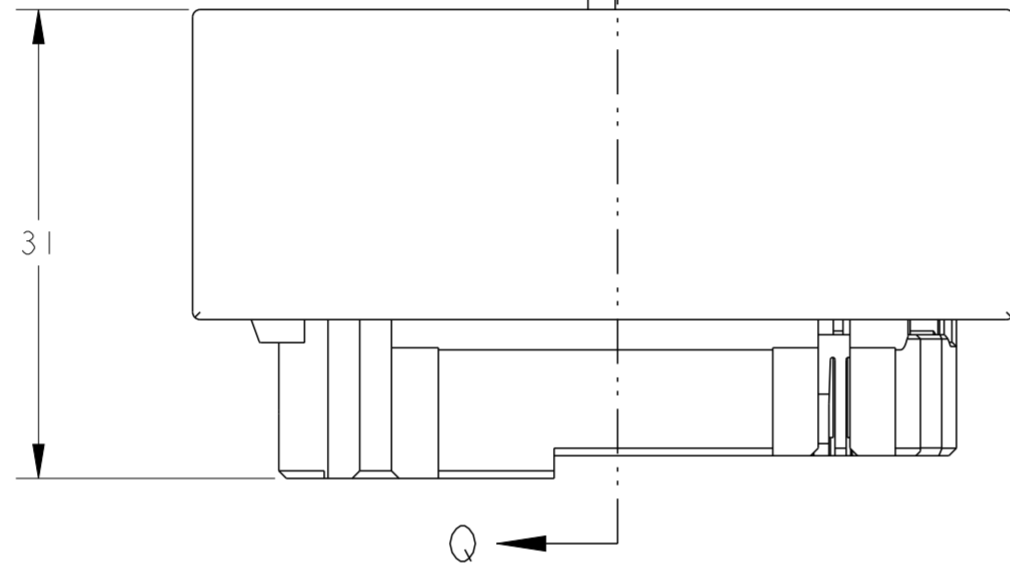
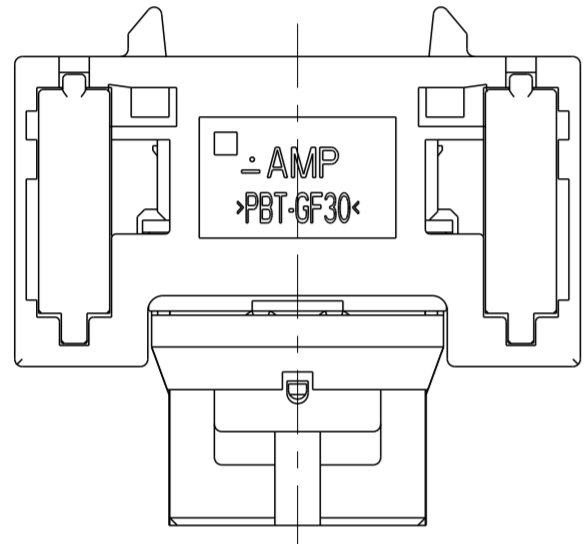
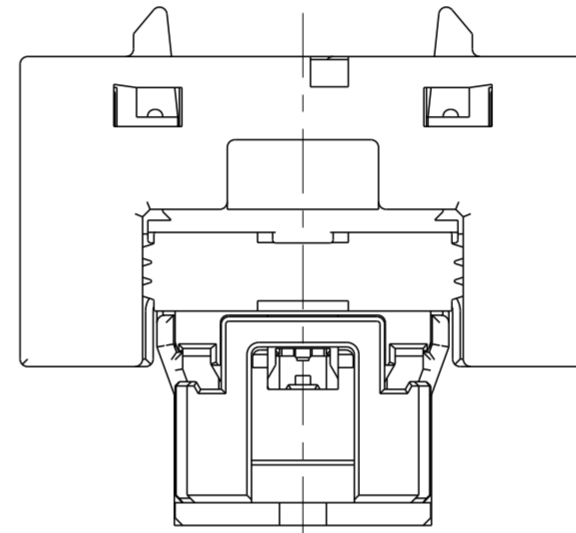
CIRCUIT NUMBER

BOSS OF MAIN CAVITY BLOCK.
IT HOLD A PERIPHERAL SEAL.
(8PLC)



P-P

BOSS OF FRONT CAVITY BLOCK.
IT HOLD A PERIPHERAL SEAL.
(6PLC)



- PART NUMBER OF LEVER ASSEMBLY TO BE APPLIED ; P/N 1473255-1
- PART NUMBER OF MQS RETAINER TO BE APPLIED ; P/N 368388-1
- APPLIED TERMINAL ; SEE TABLE-1
- PART NUMBER OF CAP HOUSING TO BE MATED ; P/N 1241434-1, 1746979-1
- INSTRUCTION SHEET NO ; 411-78008

- 適応レバーアセンブリ型番は、P/N 1473255-1
- 適応MQSリテーナ型番は、P/N 368388-1
- 適応端子はTABLE-1参照
- 嵌合相手型番は、P/N 1241434-1, 1746979-1
- 取扱説明書 NO ; 411-78008

TABLE-1

CONTACT	MQS	JPT			
PART NUMBER	5-968220-1	5-968221-1	964282-2	964286-2	964273-2
WIRE SIZE (mm ²)	0.25~0.35	0.5~0.75	0.2~0.5	0.5~1.0	>1.0~2.5

2	2	PA66	SLIDER	BLACK	7
1	1	PBT	JPT RETAINER	YELLOW	6
1	1	SILICONE	PERIPHERAL SEAL	ORANGE	5
-	1	PBT	SEAL RETAINER	BLACK	4
-	1	SILICONE	32POS FAMILY SEAL	ORANGE	3
1	1	PBT	MAIN CAVITY BLOCK	BLACK	2
1	1	PA66	FRONT CAVITY BLOCK	BLACK	1
-2	-1	MATERIAL	PART NAME	FINISH/COLOR	NO

THIS DRAWING IS A CONTROLLED DOCUMENT.

DWN: Y. KAWAHARA 10OCT01
 CHK: N. SAI 10OCT01
 APVD: K. SHIMIZU 10OCT01

PRODUCT SPEC: 108-5793
 APPLICATION SPEC: 114-18021, 114-18050

WEIGHT: 32.2g

MATERIAL: SEE TABLE
 FINISH: SEE TABLE

SCALE: 2:1
 SHEET: 1 OF 1
 REV: A6

STE TE Connectivity
 NAME: PLUG HOUSING ASSY
 SEALD 40POS. PLUG HSG MQS CLEAN BODY/JPT

SIZE: A2
 CAGE CODE: 00779
 DRAWING NO: 1473252